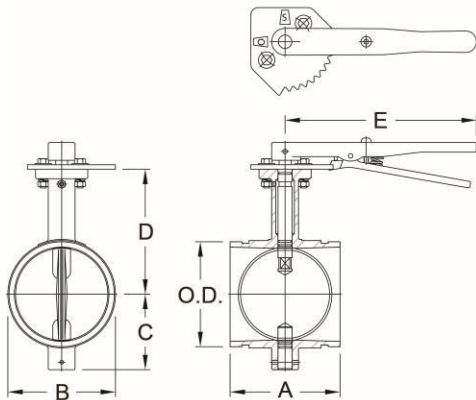


MODEL SJ-400-L BUTTERFLY VALVE WITH LEVER HANDLE

The Model SJ-400-L Butterfly Valve is a grooved-end stainless steel butterfly valve designed for 300 psi service, supplied with a 10-position locking lever handle. The end-to-end dimensions conform to MSS SP-67. The body is investment cast in grade CF8M (type 316) to ASTM A743 with integral neck and ISO mounting top flange. The neck height allows for insulation up to two inches. The disc is a dual-seal type, encapsulated either with Gr. E-pw EPDM for cold and hot water services or with Gr. T Nitrile for oil services. SJ-400-L Butterfly Valves with standard disc and Gr. E-pw EPDM seat are UL classified to NSF/ANSI 61 and NSF/ANSI 372.



Model SJ-400-L Butterfly Valve with Lever Handle

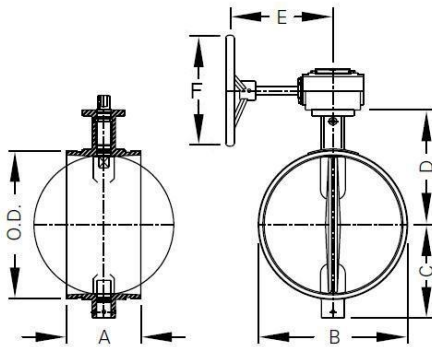
Nominal Size	Pipe O.D.	Max. Working Pressure (CWP)*	Dimensions					Operating Torque	Weight‡
			A	B	C	D	E		
in mm	in mm	PSI Bar	in mm	in mm	in mm	in mm	in mm	Lbs-in Nm	Lbs Kgs
2 50	2.375 60.3	300 20	3.19 81	2.520 64	2.480 63	4.17 106	7.56 192	78 8.80	5.0 2.3
2½ 65	2.875 73.0	300 20	3.81 97	3.150 80	2.677 68	4.28 111	7.56 192	84 9.50	7.0 3.2
76.1 mm	3.000 76.1	300 20	3.81 97	3.150 80	2.677 68	4.28 111	7.56 192	84 9.50	7.0 3.2
3 80	3.500 88.9	300 20	3.81 97	3.622 92	2.992 76	4.97 126	7.56 192	95 10.7	6.6 3.5
4 100	4.500 114.3	300 20	4.56 116	4.646 118	3.504 89	5.33 135	9.92 252	200 22.6	11.0 5.0
165.1 mm	6.500 165.1	300 20	5.81 148	6.772 172	4.488 114	6.62 168	9.92 252	310 34.9	20.2 9.2
6 150	6.625 168.3	300 20	5.81 148	6.772 172	4.488 114	7.25 184	13.46 342	310 34.9	20.2 9.2
200 JIS	8.516 216.3	300 20	5.24 133	8.740 222	5.512 140	8.20 208	13.46 342	400 45.1	26.8 12.2
8 200	8.625 219.1	300 20	5.24 133	8.740 222	5.512 140	8.20 208	13.46 342	400 45.1	26.8 12.2
10 250	10.750 273.0	150 10	6.30 160	11.16 284	7.320 186	9.25 235	14.02 356	1500 170	31.3 28.3
12 300	12.750 323.9	150 10	6.56 166	13.15 334	6.390 213	10.24 260	14.02 356	2000 226	66.0 40.0

‡ The weight includes the lever handle.

*Working pressure is based on connection with roll- or cut-grooved standard wall stainless steel pipe.

MODEL SJ-400-W BUTTERFLY VALVE WITH WORM GEAR

The Model SJ-400-W Butterfly Valve is a grooved-end stainless steel butterfly valve designed for 300 psi service, supplied with a worm gear operator. The ISO5211 mounting pad allows for the mounting of power actuators. The end-to-end dimensions conform to MSS SP-67. The body is available in grade CF8M (type 316) to ASTM A743 with integral neck and ISO mounting top flange. The disc is a dual-seal type, encapsulated with Gr. E EPDM for cold and hot water services.



Model SJ-400-W Butterfly Valve with Worm Gear

Nominal Size	Pipe O.D.	Max. Working Pressure (CWP)*	Dimensions							Weight‡
			A	B	C	D	E	F		
in	in	PSI	in	in	in	in	in	in	in	Lbs
mm	mm	Bar	mm	mm	mm	mm	mm	mm	mm	Kgs
2	2.375	300	3.19	2.520	2.480	4.17	6.00	6.00	6.00	11.0
50	60.3	20	81	64	63	106	152	152	152	5.0
2½	2.875	300	3.81	3.150	2.677	4.28	6.00	6.00	6.00	13.0
65	73.0	20	97	80	68	111	152	152	152	5.9
76.1 mm	3.000	300	3.81	3.150	2.677	4.28	6.00	6.00	6.00	13.0
	76.1	20	97	80	68	111	152	152	152	5.9
3	3.500	300	3.81	3.622	2.992	4.97	6.00	6.00	6.00	12.6
80	88.9	20	97	92	76	126	152	152	152	5.7
4	4.500	300	4.56	4.646	3.504	5.33	6.00	6.00	6.00	17.0
100	114.3	20	116	118	89	135	152	152	152	7.7
165.1 mm	6.500	300	5.81	6.772	4.488	6.62	6.00	6.00	6.00	26.2
	165.1	20	148	172	114	168	152	152	152	11.9
6	6.625	300	5.81	6.772	4.488	7.25	6.00	6.00	6.00	26.2
150	168.3	20	148	172	114	184	152	152	152	11.9
200 JIS	8.516	300	5.24	8.740	5.512	8.20	6.00	6.00	6.00	32.8
	216.3	20	133	222	140	208	152	152	152	14.8
8	8.625	300	5.24	8.740	5.512	8.20	6.00	6.00	6.00	32.8
200	219.1	20	133	222	140	208	152	152	152	14.8
10	10.750	150	6.30	11.16	7.320	9.25	8.00	8.00	8.00	42.3
250	273.0	10	160	284	186	235	203	203	203	19.2
12	12.750	150	6.56	13.15	6.390	10.24	8.00	8.00	8.00	77.0
300	323.9	10	166	334	213	260	203	203	203	34.9

‡ The weight includes the worm gear.

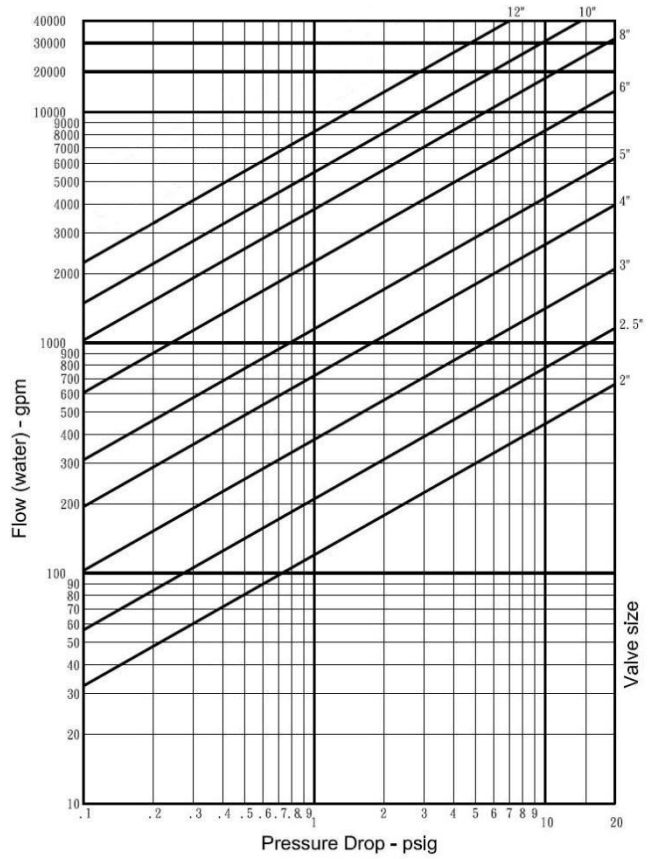
*Working pressure is based on connection with roll- or cut-grooved standard wall stainless steel pipe.

Flow Data

Equivalent length and Cv values for flow of water are shown below (water temperature at +86°F or +30°C)
 This chart should be used as a general guide.

Nominal Size	Equivalent Length on Sch. 40 pipe*		Cv Values
	in	Feet (Meter)	
2	8.1	(2.48)	120
2½	8.1	(2.48)	210
3	8.4	(2.56)	380
4	8.3	(2.53)	720
5	9.8	(2.99)	1150
6	7.4	(2.26)	2250
8	11.0	(3.35)	3800
10	10.5	(3.20)	5500
12	12.0	(3.66)	8250

*At 15 feet/sec. (4.6m/s) velocity of water.



MATERIAL SPECIFICATIONS

- **Valve Body:**

Gr. CF8M (Type 316) stainless steel to ASTM A743 or A351 or A744 which is UL classified in accordance with NSF/ANSI 61 and NSF/ANSI 372 for potable water use to temperature 180°F (82°C).

- **Stems:**

Stainless steel Type 410 to ASTM A582.

- **Disc:**

Gr. CF8M (Type 316) encapsulated with Gr. E-pw EPDM.

- **Disc Encapsulation:**

Grade "E-pw" EPDM: EPDM Rubber is classified in accordance with NSF/ANSI 61 and NSF/ANSI 372 for potable water use to temperature 180°F (82°C)

- Gr. EEPDM.
- Gr. T Nitrile.

- **O-rings:**

EPDM

General Notes:

- **Maximum Working Pressure (CWP)** listed is the maximum cold water pressure for general piping services tested to ASTM F1476 and or AWWA C606 methods. Figures listed are based on roll- or cut-grooved standard wall carbon steel pipe. For other pipe schedules or pipe materials, contact **Shurjoint** for additional information.
- **Field Joint Test:** For one time only the system may be tested hydrostatically at 1½ times the maximum working pressure listed (AWWA C606 5.2.3).
- **Warning:** Piping systems must always be depressurized and drained before attempting disassembly and or removal of any components.
- **Shurjoint** reserves the right to change specifications, designs and or standard without notice and without incurring any obligations.

*Shurjoint product specifications in U.S. customary units and metric are approximate and are provided for reference only. For precise measurements, please contact **Shurjoint** Technical Service. **Shurjoint** reserves the right to change or modify product design, construction, specifications, or materials without prior notice and without incurring any obligations to make such changes and modifications on **Shurjoint** products previously subsequently sold.*